

---

**GK Series**

**Gas Alarm Operation Manual**

**Hanwei Electronics Co., Ltd**

**ISO9001**

## 1. Description:

GK series gas alarm is a kind of wall-mounted household gas alarm designed to detect the concentration of combustible and toxic gas or vapors using high quality air-sensitive component and manufactured with advanced technology. It provides visual and audio signals when the gas concentration reaches the presetting alarm range, and reminds you taking prompt favorable action. You may start up other link equipment, open windows or shut off gas supply to avoid fire, explosion, suffocation, or other malignant accidents.

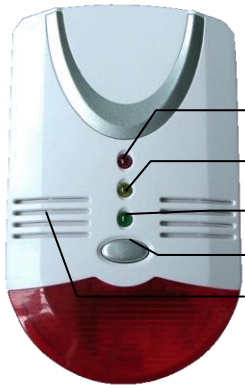
## 2 Specifications:

Model	□GK901
Working voltage	① AC220V±15% / AC110V±15% 50Hz ② DC12V
Power Consumption	≤3W
Environment	Temperature: 0℃~55℃ Humidity: <95%
Response time	≤30s Resume automatically
Gas Sampling	diffuse naturally
Alarm Level	CH <sub>4</sub> : 10%LEL; CO: Follow EN50291
Alarming Method	visual and audio
Sound level	≥70dB
Weight	300g
Dimension	l×b×h, mm: 135×82×41
Optional function	□gas shut off valve □relay output

Note: The working voltage and the alarming level can be specified.

### 3 Functions and wire connection

#### 3.1 Functions and indications

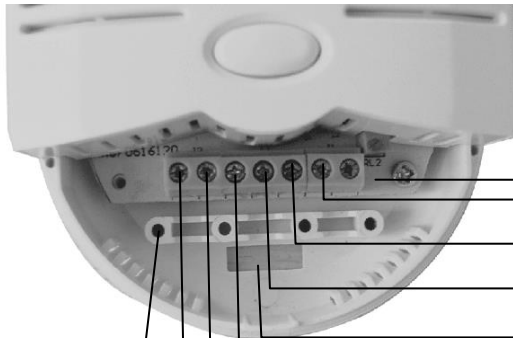


1  
2  
3  
4  
5

1	ALARM Light (Red)
2	FAULT Light (Yellow)
3	POWER Light (Green)
4	TEST Button: Press to test alarm function
5	Air vents

Fig. 1

#### 3.2 Terminals



Wire slot

Fig.2

Valve output +  
Valve output -  
NC  
COM  
Cable  
NO  
AC/DC +  
AC/DC -

### 4. Installation

4.1 Fix the appliance on the wall at a horizontal distance as 2~4m from the cooker or gas source;

4.2 The vertical location of the appliance should be decided according to the gas type:

LPG: Fix it within 0.3 meters above the ground;

Natural Gas: Fix it within 0.3 meters below the roof;

Such location should be avoided:

Near the windows or passage with strong wind;

Water fog and drop or such moist place;

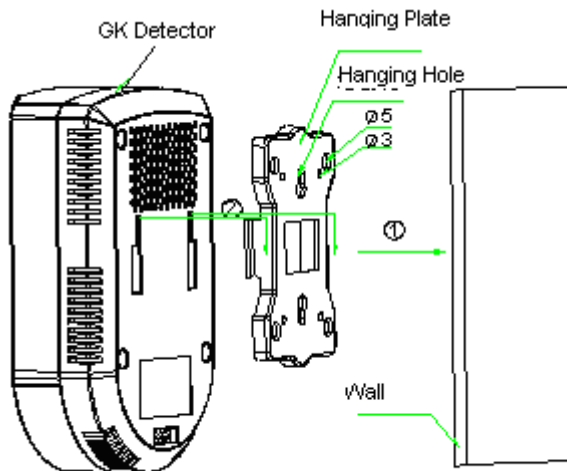
Easy polluted or high temperature environment near oven;

Covered by other things.

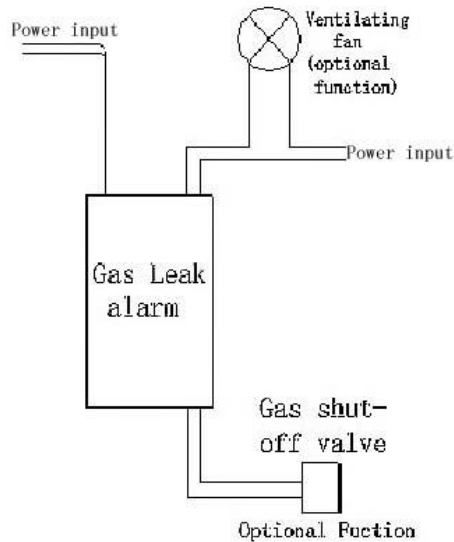
4.3 Choosing a proper installation way per conditions above.

**Installation 1:** Choose a suitable wall or place per the above 4.1, 4.2 requests. Fix the hanging plate onto the wall with M5 or M3 screw through the screw hole (as the following drawing, two optional types  $\phi 5$  and  $\phi 3$ ), then connect the appliance with the hanging plate.

**Installation 2:** Choose a suitable wall or place per the above 4.1, 4.2 requests. Fix a nail (size  $\phi 2$ ) into the wall. Hang the appliance on the nail with the hanging hole as the drawing below:



4.4 Connection drawing of gas leak alarm with functions of gas shut off valve or relay output:



## 5 Operation Instructions:

5.1. Plug in, (If ventilate fan, solenoid valve or other equipment which is need to be connected, please connect corresponding circuit firstly.), then the green POWER light will be power on. The appliance assumes non-operating status for 3 minutes while the sensor warms up. After warm up, the appliance enters detecting status.

5.2. If the gas in the environment rises above the preset alarm level, the appliance will enter alarm status, the red ALARM light will shine and the buzzer will give sound alarming. Meanwhile, the alarm will activate the relay or the valve output. Please cut off the gas supply promptly and open the window. Do not try to turn on/off any electric appliance, including mobile phone and other communication tools. Ask professional person to eliminate the gas leaking malfunction quickly (the alarm with function of gas shut off valve shall output one close pulse signal each 10 seconds).

5.3. Once the gas concentration around goes down under the preset

alarming level, the detector will stop alarming automatically and the ventilating fan will stop automatically. The detector gets into detecting state again.

5.4. If the yellow fault alarm light is power on, it shows there is something wrong with the detector and the detector can not detect any target gas. Then please contact the distributor.

5.5. Button operation:

Test button: The appliance will simulate alarming status by pressing test button under detecting status.

## 6 Troubleshooting Guide:

Problems...	Maybe caused by...	Solutions...
Green POWER light is power off	Unit may not be plugged all the way in or receiving power.	Plug in again to assure the unit receive power
	light broken	Contact the distributor or factory for maintenance
Press test button without alarm sound	Circuit fault	Contact the distributor or factory for maintenance
Can't detect the gas	The preheat is not finished	Wait until the preheat finish
	Circuit fault	Contact the distributor or factory for maintenance

The alarm give alarm after the warm up	Too much smoke, alcohol or perfume or other volatility gas in the air.	Move the clean air and test again
	Stored too long	Warm up for more than 2 hours
	Circuit fault	Contact the distributor or factory maintain

## 7. Notices:

7.1 It's possible that the detectors give alarming in the conditions of long time smoking, drinking, or using perfume, gasoline, paint and other volatile organic compound;

7.2 Please do not use or store the detectors in the corrosive gases(such as  $Cl_2$ );

7.3 Please do not use some non calibrated gas to test the detectors, If the gas concentration is too high, it will damage the detectors, also is harmful for human's health;

7.4 Clean the dust or dirt on the alarm frequently to keep air vent freely and the lights clear

7.5 The detector needs to be keeping power on for more than 24 hours after a long time delivery of storage.

**HANWEI ELECTRONICS CO., LTD**  
**No. 169, Xue Song Road National Hi-Tech Zone,**  
**Zhengzhou 450001 ,Henan, China**  
**Phone: +86 371 67169070/67169080**  
**Fax:+86 371 67169090**  
**E-mail: [sales@hwsensor.com](mailto:sales@hwsensor.com)**  
**Website: [www.hwsensor.com](http://www.hwsensor.com)**